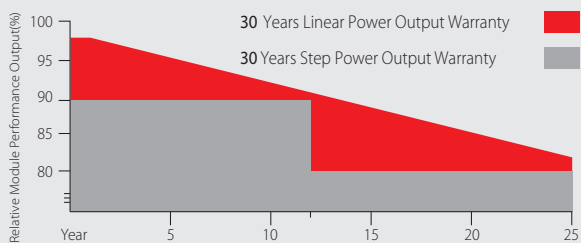
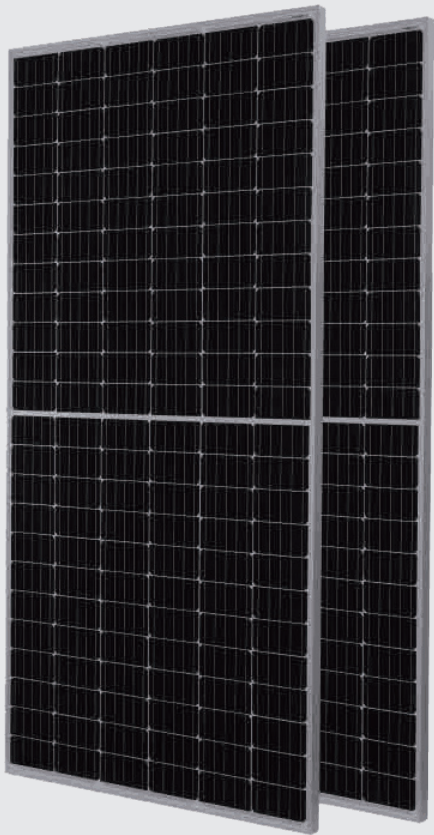


# Einnova Solarline

*invented for solar*



## Half cut Mono crystalline Solar Module ESM 395/400/405/410H PERC

### FEATURES

- Positive power tolerance up to 5w
- Heavy snow load up to 5400 Pa and wind load up to 3800Pa
- IP68 junction box is available for long term weather endurance
- Salt mist, ammonia and blowing sand resistance, apply to seaside, farm and desert areas
- Selective materials and rigid process effectively control Potential Induced Degradation (PID)
- Total quality control and complete traceability of Material by Shop Floor Control (SFC)

### WARRANTY

- 12 Years Product Workmanship Warranty
- 12 Years Minimum 90% Power Output
- 30 Years Minimum 80% Power Output

China Jiangsu  
International Group Ltd.

5 West Beijing Road,  
Nanjing, 210008, China

+86-(0)25-84792033  
+86-(0)25-84705923

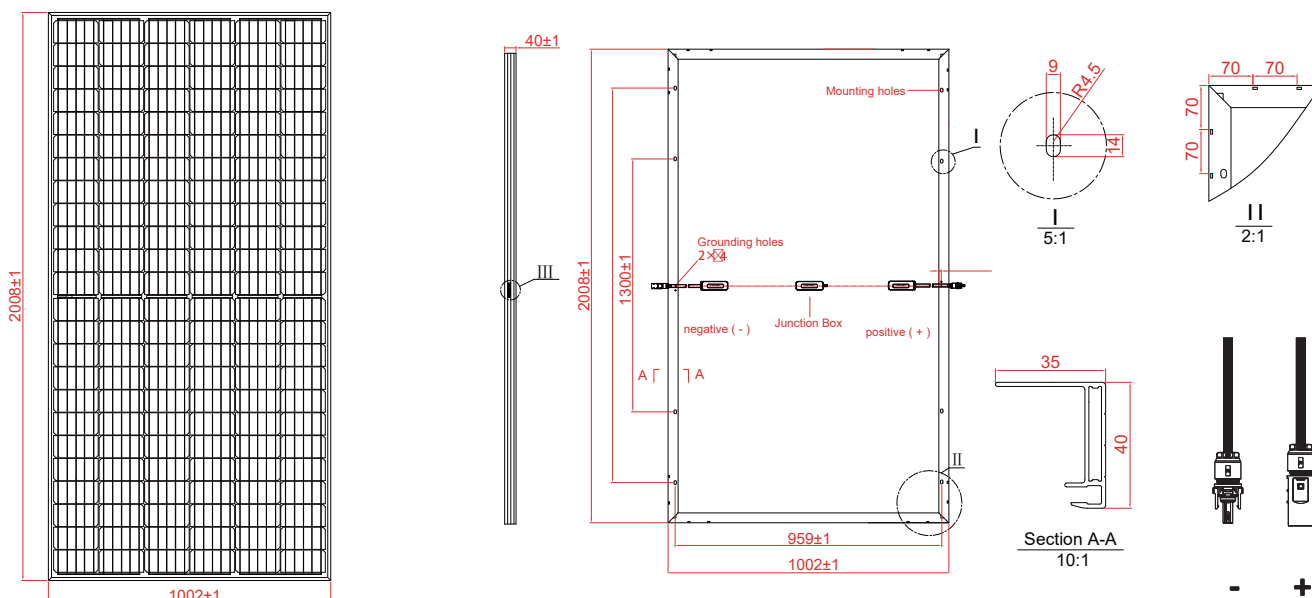
info@einnova-solarline.com  
www.einnova-solarline.com

EN

The specifications are subject to change without prior notice.

# Half cut Mono crystalline Solar Module ESM 395/400/405/410H PERC

**Einnova Solarline**  
*invented for solar*



## Electrical Specification

Model Type	Unit	ESM 395H	ESM 400H	ESM 405H	ESM 410H
Maximum Power (Pmax)	W	395	400	405	410
Module Efficiency	%	19.56	19.81	20.05	20.25
Open Circuit Voltage (Voc)	V	48.9	49.1	49.3	49.5
Short Circuit Current (Isc)	A	10.03	10.10	10.17	10.25
Maximum Power Voltage (Vmp)	V	41.4	41.6	41.8	42.0
Maximum Power Current (Imp)	A	9.55	9.62	9.68	9.76
Maximum System Voltage	V	ICE 1000VDC/UL1500(VDC)			
Maximum Series Fuse Rating	A	20A			

Standard Test Conditions (STC) of irradiance of 1000 W/m<sup>2</sup>, spectrum AM 1.5 and cell temperature of 25°C.

The NOCT is obtained under the Test Conditions: 800W/m<sup>2</sup>, 20°C ambient temperature, AM 1.5 Spectrum, 1m/s wind speed.

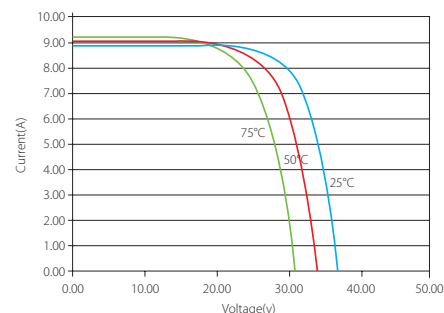
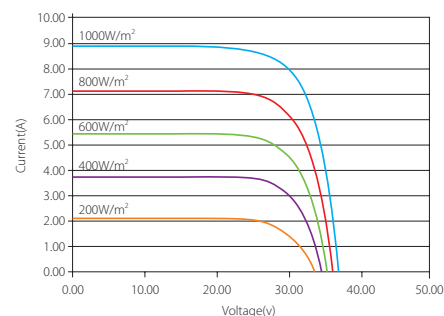
## Mechanical Specification

Module Dimension (mm)	2008× 1002× 40
Number of Cell	144PCS
Weight (kgs)	21.5kg
Maximum Load (TUV) (Pascal)	5400
Junction Box and Cable connector	IP68 rated; MC4 compatible
Back-sheet Color	White or Black
Frame Color	Silver or Black

## Temperature Characteristics

Nominal Operating Cell Temperature (NOCT)	45 +/- 2 °C
Temperature Coefficient ( Pmax)	-0.367% / °C
Temperature Coefficient ( Voc )	-0.320% / °C
Temperature Coefficient ( Isc )	0.107% / °C
Operating Temperature	-40~85 °C

## IV CURVE



The specifications are subject to change without prior notice.